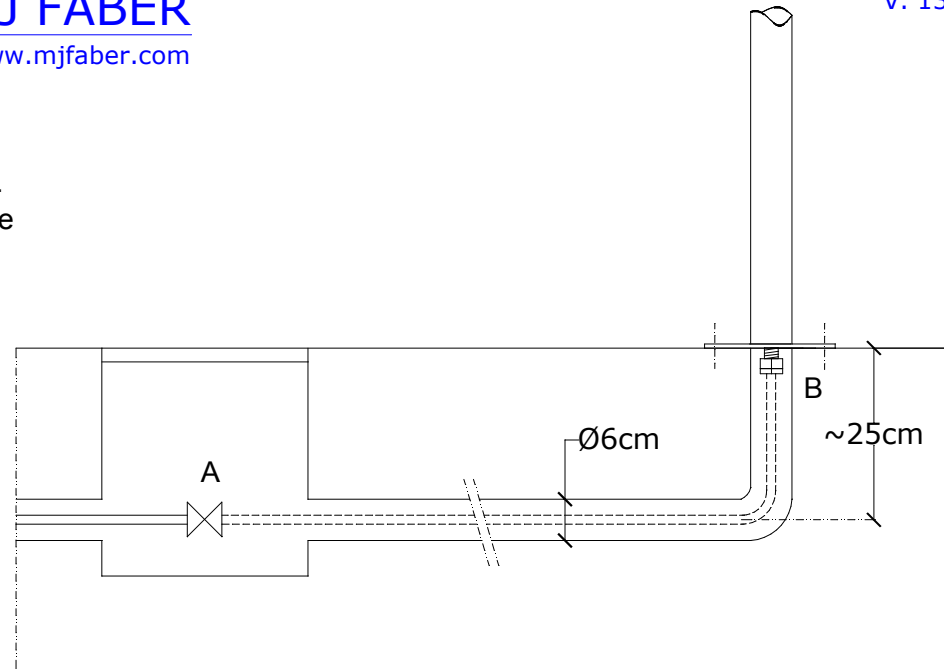
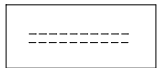


INSTALLATION

- Column version for anchorage on floor and water supply from floor.
- Version column water supply with fixed attack 1/2" M under the base of the column.
- Scheme valid for nr. 1 or 2 lines of water supply.



 from A to B: flexible tube
(for example polyethylene)

