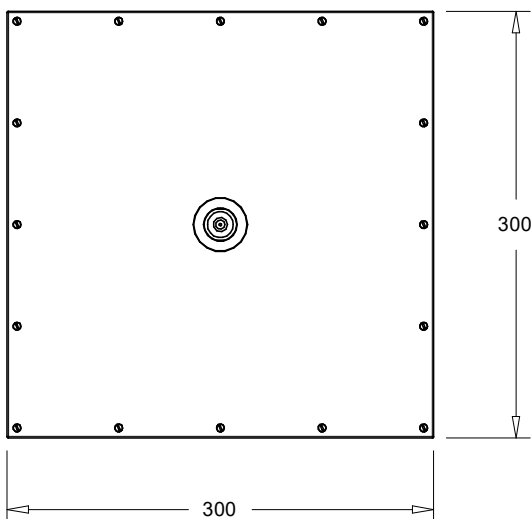
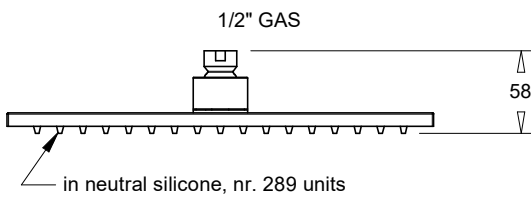
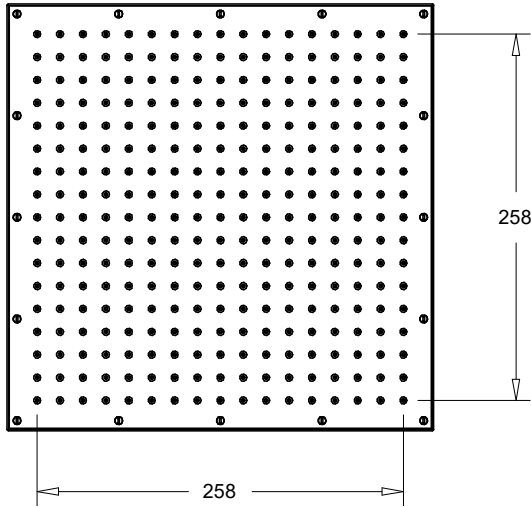
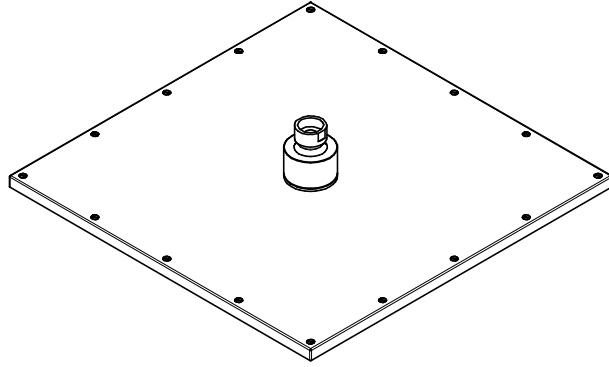


# Model: Q-30



- u.m.: mm
- material: ss aisi 316L,  
screws in aisi 316 (A4)
- antilimescale
- inspectable
- versions with and without ball join  
(showed with)