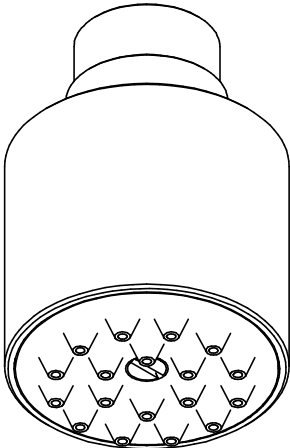
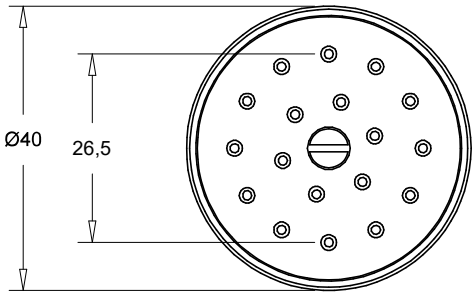
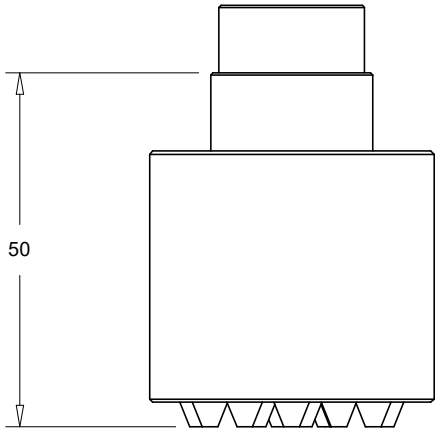


**Model: D-4**



1/2" GAS



- u.m.: mm
- material: ss aisi 316L,  
nr.1 screw in aisi 316 (A4)
- antilimescale
- inspectable
- versions with and without ball joint  
(showed without)

